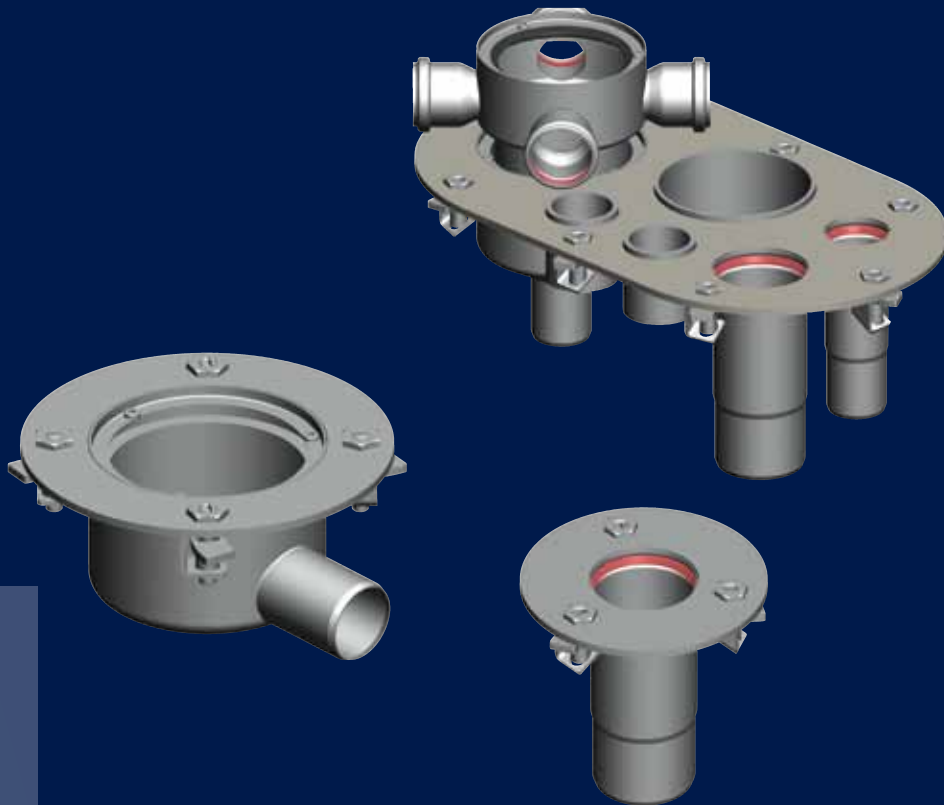


BLÜCHER® EuroPipe BLÜCHER® Drain Marine

Installation without welding

PATENT
PENDING



BLÜCHER®

K E E P I N G U P T H E F L O W

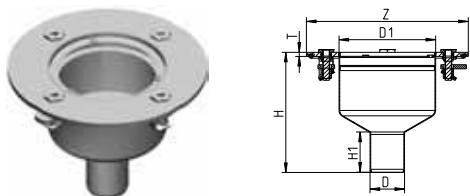
STAINLESS STEEL DRAINAGE SYSTEMS

Drains and penetrations with flange for installation without welding

BLÜCHER® Drain Marine lower parts for steel decks

LOWER PART FOR MARINE DRAIN TYPE 470.900

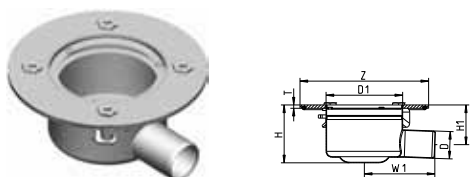
NON-WELDED



Type no.	EAN no.	EC/MED (Deck)	D	D1	Z	H	H1	T	Kg
470.900.050 S	5705499133318	A0-A60	50	140	235	174	58	6	2,35
470.900.075 S	5705499133325	A0-A60	75	140	235	172	63	6	2,37
470.900.110 S	5705499133332	A0-A60	110	140	235	141	75	6	2,33

LOWER PART FOR MARINE DRAIN TYPE 475.900

NON-WELDED

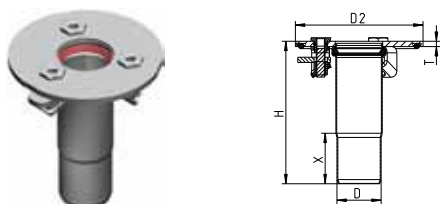


Type no.	EAN no.	EC/MED (Deck)	D	D1	Z	H	H1	W1	T	Kg
475.900.050 S	5705499133349	A0-A60	50	140	235	106	72	129	6	2,35
475.900.075 S	5705499133356	A0-A60	75	140	235	106	71	134	6	2,47

BLÜCHER® EuroPipe penetration for steel decks and bulkheads

FLANGED PENETRATION TYPE 868.9

NON-WELDED

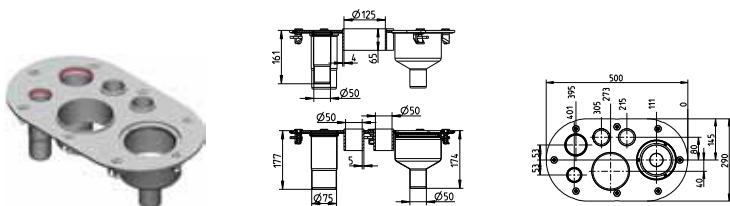


Type no.	EAN no.	EC/MED (Bulkhead)	EC/MED (Deck)	D	H	D2	X	T	Kg
868.900.050FS	5705499413502	A0-A30	A0-A60	50	161	145	57	6	1,19
868.900.075FS	5705499413519	A0-A30	A0-A60	75	177	170	62	6	1,49
868.900.110FS	5705499413526	A0-A30	A0-A60	110	202	205	79	6	2,06

BLÜCHER® EuroPipe jointing unit for steel decks

GROUP PENETRATION TYPE 490.900

NON-WELDED



Type no.	EAN no.	EC/MED (Deck)	Kg
490.900.050 S	5705499413533	A0-A60	7,70

Drains and penetrations with flange for installation without welding

- Quick installation (45 sec. per penetration) from above requiring only a cordless drill driver
- No welding certificate or hot-work precautions required
- Can be installed by one man alone
- Can be installed at a late stage of the building process
- For repair/refit
- For decks 4,5 - 10 mm thickness
- Water- and gastight solution (up to 1 bar water or 0,1 bar gas)
- Fire-rated A0-A60 (bulkhead A0-A30)

PATENT
PENDING



NO MORE WELDING!

BLÜCHER has developed an entirely new solution for installing flanged drains and penetrations in steel structures by means of a patent-applied screw-lock system.

Installation of a penetration in just 45 seconds!

How it works

Drains and penetrations come with a special screw-lock system with sealing ring for each fixing point and a sealing ring for the entire drain/penetration. Installation can be carried out from above using an electric drill/screwdriver and/or a torque wrench, tightening all fixings to 35 Nm.

Range

Flanged lower parts types 470 and 475

Flanged single-pipe penetration type 868, sizes 50, 75 and 110 mm

Flanged jointing unit with group penetration type 490.

Material

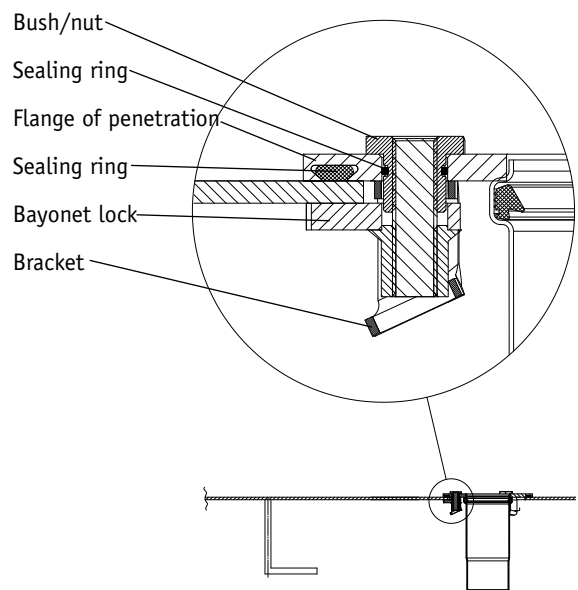
Stainless steel - AISI 316L

Testing

Vibration test: According to IACS E10: Rev. 5. Dec. 2005

Tightness test: According to DNV Guideline: STANDARDS FOR CERTIFICATION No. 2.9 Type Approval Programme 8-471.19-1

Fire testing: According to FTP Code A.754(18) Fire resistance tests for "A" class constructions, fire classes A0, A30, A60 - certificate MED-B-7599



Reduces installation time significantly • No hot-work precautions • Installation while at sea

BLÜCHER®

At BLÜCHER® more than 300 employees create an annual turnover of more than 50 million euro.

Through know-how, dedicated service and common sense we develop, produce and market high quality stainless steel drainage solutions for customers within the housing, commercial, industrial and marine sectors all over the world.

Find your local BLÜCHER® specialist at www.blucher.com

BLÜCHER® EuroPipe

BLÜCHER® Channel

BLÜCHER® Drain



KEEPING UP THE FLOW