



Parker Water Purification Offshore Support Vessel (OSV) Series of Reverse Osmosis Watermakers (10~70 m³/day, 2,600~18,500 GPD)

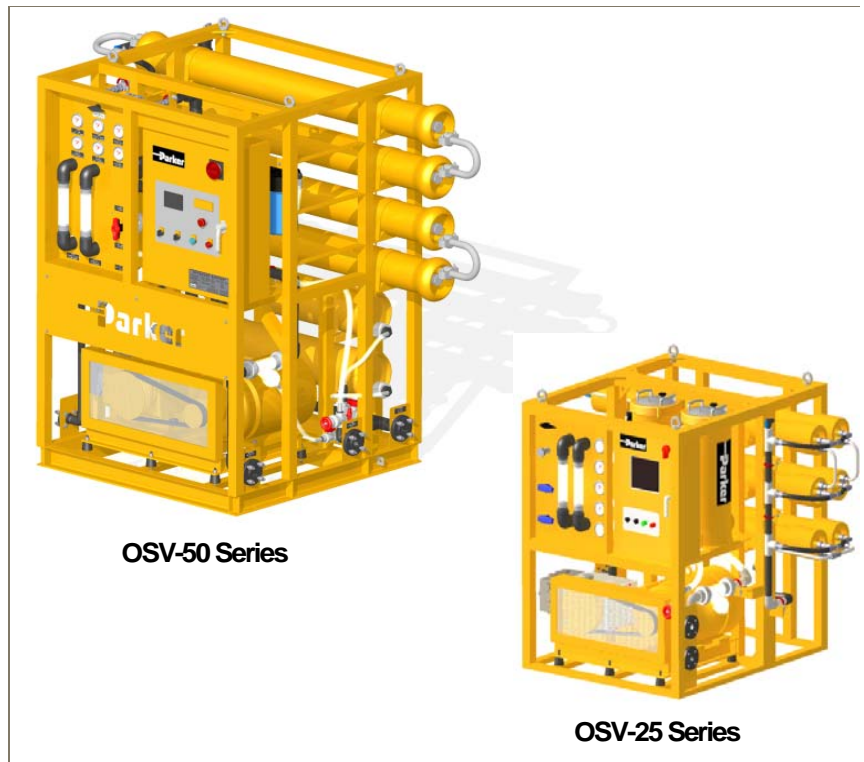
OSV Commercial Watermaker

Offshore installations are known for their harsh environments. Ever changing offshore conditions are factors which underscore the importance of ensuring that products used for operation and generation of potable and technical water are robust enough to withstand these persistent conditions over long periods.

Our ruggedized line of Reverse Osmosis Watermakers are specifically designed to significantly reduce your operating costs by producing water onboard your Offshore Supply Vessels.

Unlike bunkering water and purchasing expensive bottled water, our OSV line of products produce high quality water for fraction of the cost when compared to other alternatives.

When specifying equipment for the offshore oil and gas industry, the need for reliable performance in the most rugged condition is reliability. It's with that in mind that we introduce our most ruggedized, commercially available product fit for the severe and rugged requirements of the offshore industry.



OSV-50 Series

OSV-25 Series



Parker Aqua Pro® Pump

Key Feature:

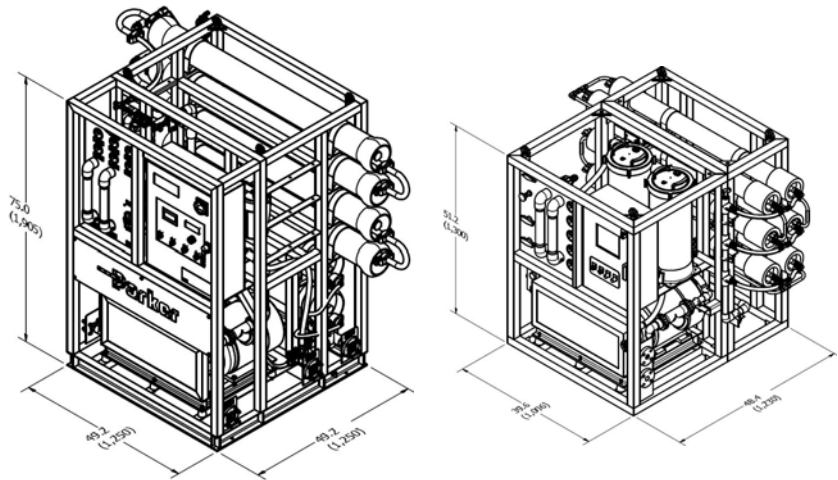
At the core of each Offshore Support Vessel Series Watermaker is the Aqua Pro® high-pressure pump:

- Titanium head for maximum corrosion resistance.
- Ceramic plungers and nylon valves will not corrode.
- 5-plunger* design allows lower rpm, lower noise and less vibration (* 5-plunger design for OSV-50 and 3-plunger design for OSV-25).
- Quiet operations

Offshore Support Vessel Series

Standard Features:

- Titanium positive displacement high pressure pump
- Two staged filtration(20mic & 5mic)
- RO(Reverse Osmosis) membranes
- Designed for open intake applications
- Simple, robust and quiet pressure regulating valve
- Automatic diversion valve
- Duplex SS high pressure piping
- Full automation & instrumentation



Contact Information:

Parker Hannifin Corporation Water Purification

2630 E. El Presidio Street
Carson, CA, USA 90810
Phone +1 310 608 5600
Fax +1 310 608 5697
www.parker.com/watermakers

E-Mail for order/quotation:
waterpurification@parker.com

E-Mail for Tech service:
watertech@parker.com

Parker Hannifin Corporation Korea Filtration Division

23rd, Jangangongdan 1-gil,
Jangan-myeon Hwasung-si,
Gyunggi-do, 445-941, Korea
Phone +82 31 359 0782
www.parker.com/korea

OSV-50 Series

OSV-25 Series

MODEL / DIM'(wxdxh)	PRODUCT FLOW	POWER	WEIGHT
OSV-50 Series 49.2 x 49.2 x 75.0 inch (1,250 x 1,250 X 1,905 mm)	70(m ³ /d), 18,493(gpd)	380V 50Hz, 440V 60Hz	1,500(kg), 3,307(lbs)
	60(m ³ /d), 15,851(gpd)	380V 50Hz, 440V 60Hz	1,450(kg), 3,167(lbs)
	50(m ³ /d), 13,209(gpd)	380V 50Hz, 440V 60Hz	1,400(kg), 3,087(lbs)
	40(m ³ /d), 10,568(gpd)	380V 50Hz, 440V 60Hz	1,350(kg), 2,977(lbs)
OSV-25 Series 39.6 x 48.4 x 51.2 inch (1,006 x 1,230 X 1,300 mm)	30(m ³ /d), 7,926(gpd)	380V 50Hz, 440V 60Hz	1,300(kg), 2,866(lbs)
	25(m ³ /d), 6,604(gpd)	380V 50Hz, 440V 60Hz	1,050(kg), 2,315(lbs)
	15(m ³ /d), 3,962(gpd)	380V 50Hz, 440V 60Hz	1,000(kg), 2,205(lbs)
	10(m ³ /d), 2,642(gpd)	380V 50Hz, 440V 60Hz	950(kg), 2,095(lbs)



Feed Pump

Media Filter

Feed Pump & Media
Filter Ass'y

CIP Tank

<Optional Accessories>

To maintain peak performance always use genuine Parker Water Purification, Parker Village Marine, Parker Sea Recovery replacement parts. We reserve the right to change our specifications or standards without notice.



ENGINEERING YOUR SUCCESS.